



# Aviator Series



Blast your sound to the next level

*“The sound systems with the best quality-to-price ratio of the market” ...*

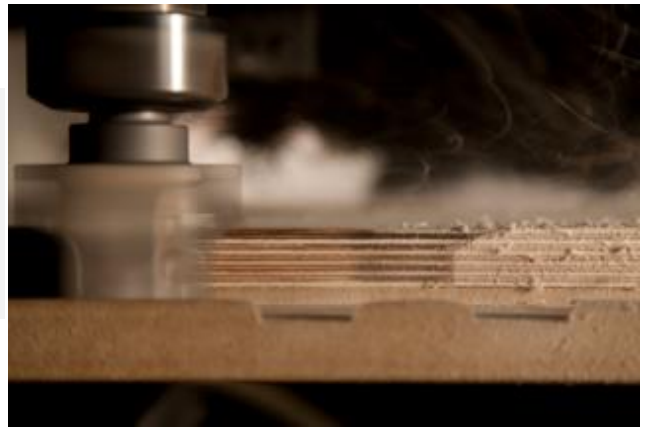


*Models: Aviator LA 210 A, LA 210 P and S 218 A*

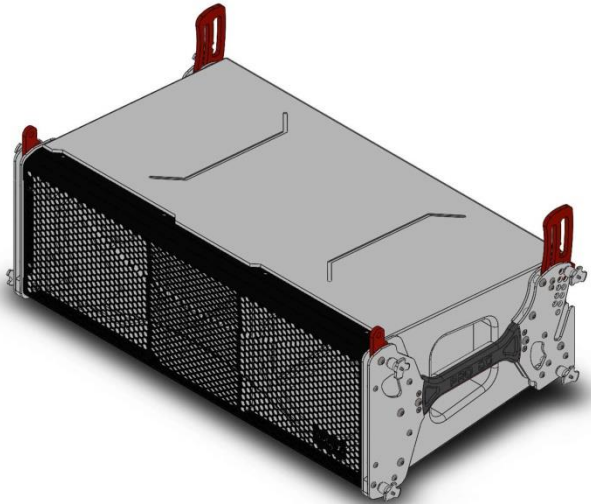
An expression commonly repeated by the various users of the new **Aviator Series** from Pro DG Systems, which perfectly sums up the philosophy with which this new product series has been designed.

## Precision craftsmanship

The perfect fusion between craftsmanship and modern design and manufacturing processes to ensure maximum precision and robustness in the construction of acoustic enclosures.



Complete 3D-CAD design of each individual part.



Use of high-strength multi-layer birch plywood in the acoustic enclosures of all Aviator Series systems.

CNC machining and assembly process of the acoustic enclosures.

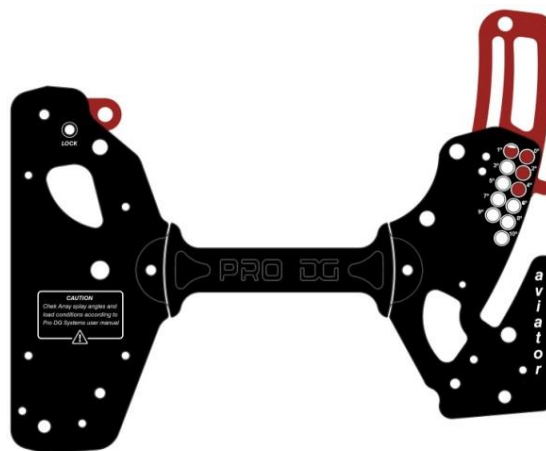


Comprehensive visual inspection and final detailing of the acoustic enclosures by means of manual puttying and sanding.

Special polyurea finish on all acoustic enclosures to ensure maximum resistance against impacts and inclement weather.

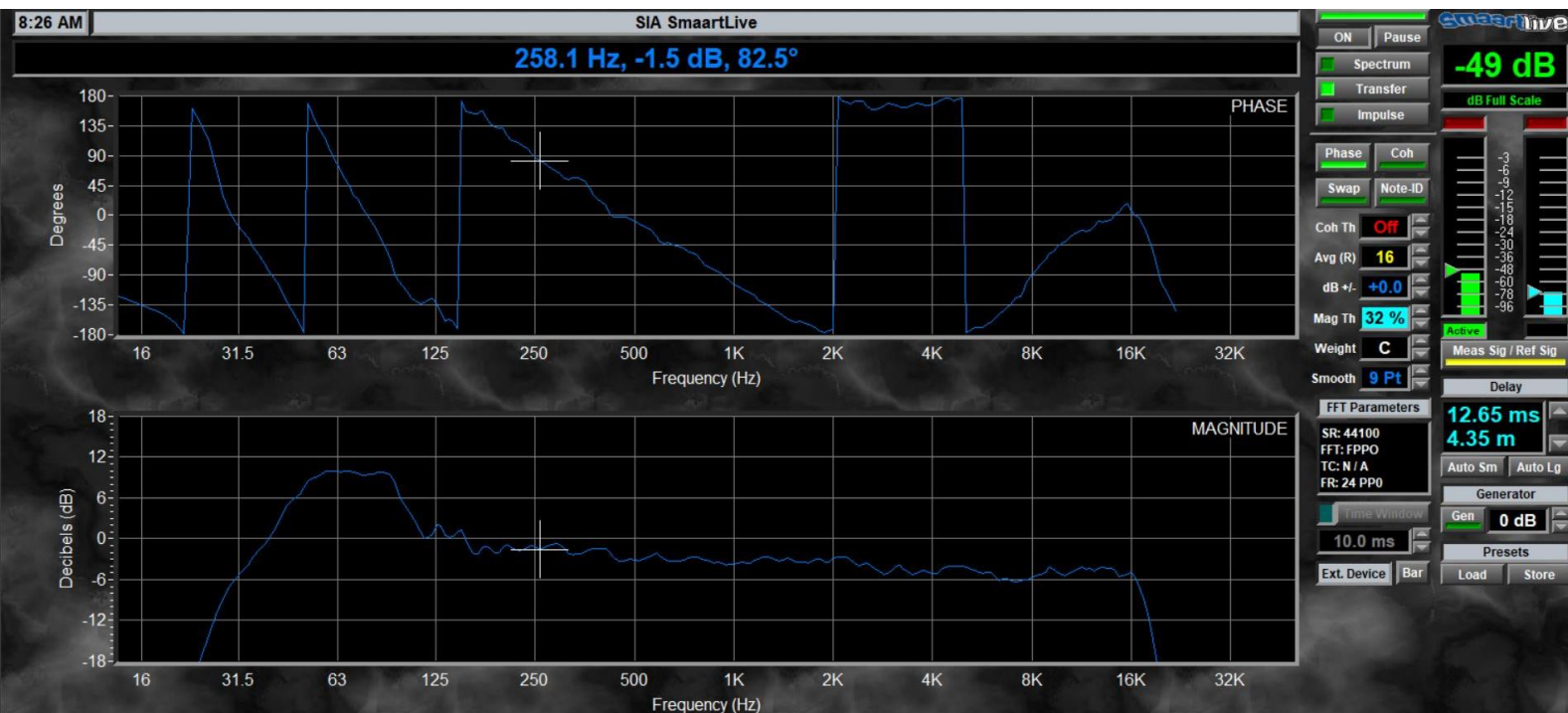


Hardware manufacturing using automatic 3D laser cutting process, oven-dried electrostatic powder paint finish.

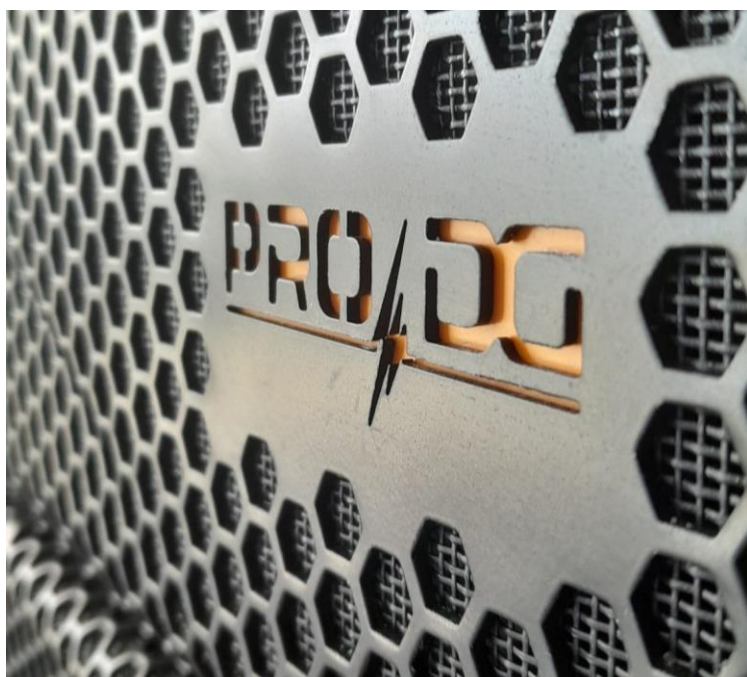


Final assembly done by hand, inclusion of factory presets in the amplification modules of the self-powered products.

Exhaustive final quality control carried out by professionals with decades of experience.



In brief, enclosures manufactured with the utmost precision to avoid vibrations that could affect the sound definition. Easy to transport thanks to their compact, lightweight and ergonomic design. With a quick and intuitive use hardware design.



**Robust, high-quality products, made to last.**

**Avant-garde technology**

Aviator Series systems feature state-of-the-art LaVoce Italiana woofers and compression drivers.



YOUR GLOBAL PARTNER  
FOR TRANSDUCERS:  
FROM CONCEPT TO DELIVERY

**INNOVATORS  
BY TRADITION**

**LaVoce**  
ITALIANA



YOUR GLOBAL PARTNER  
FOR TRANSDUCERS:  
FROM CONCEPT TO DELIVERY



The acoustic enclosure and horns included in the different systems have been specifically designed to guarantee maximum performance and acoustic quality of these components.

## Power and control

Aviator Series systems feature proprietary state-of-the-art Class-D amplification and DSP.

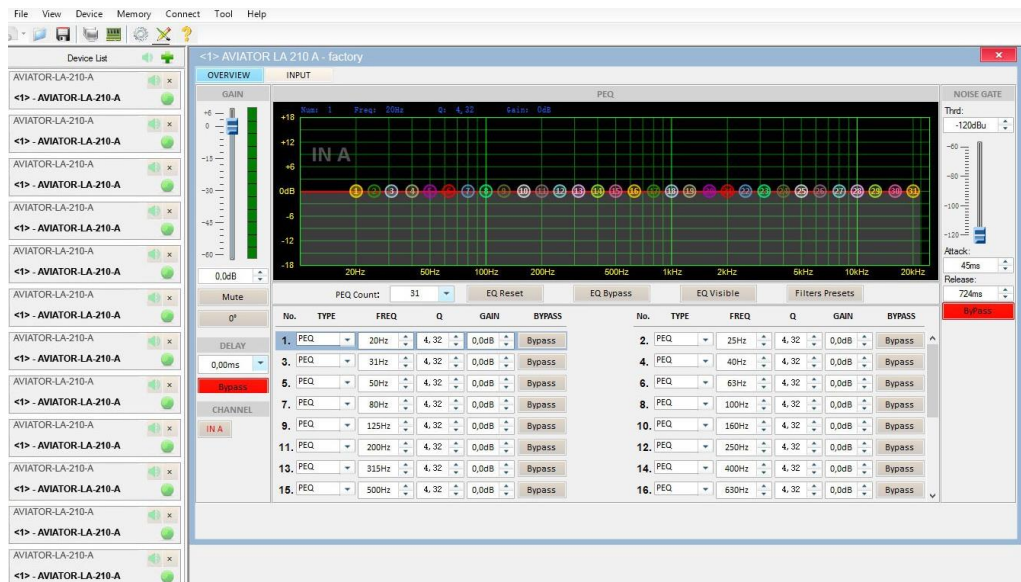


They incorporate switching power supply and limiting system to guarantee the protection of both the amplifier and the other components.

Remote processing, control and management are performed through **ProDGnet** software.



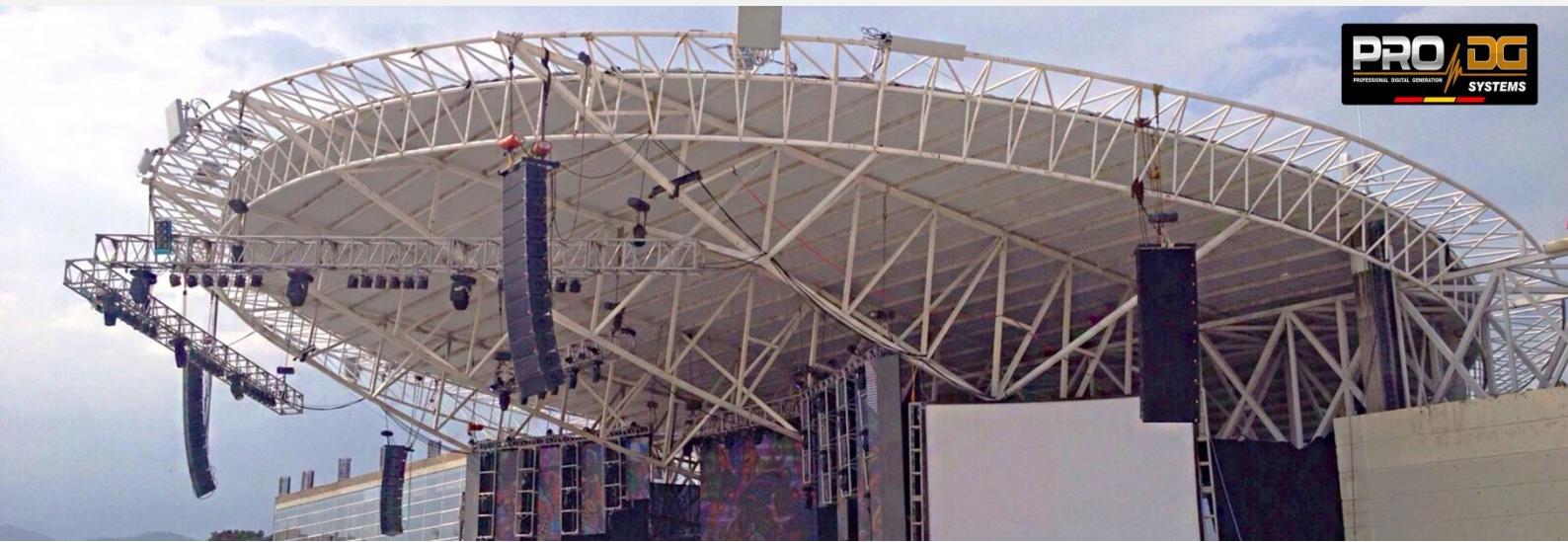
ProDGnet software allows an instant and intuitive view of the status of all systems, as well as absolute control of the different parameters individually (unit per unit).



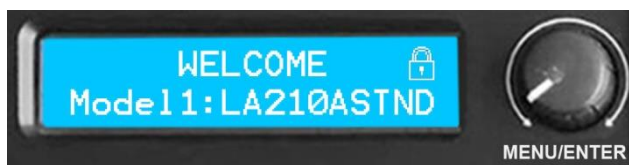
## Because just incorporating high-quality components is not enough

Aviator Series optimization is the result of the constant collaboration with professionals around the world.

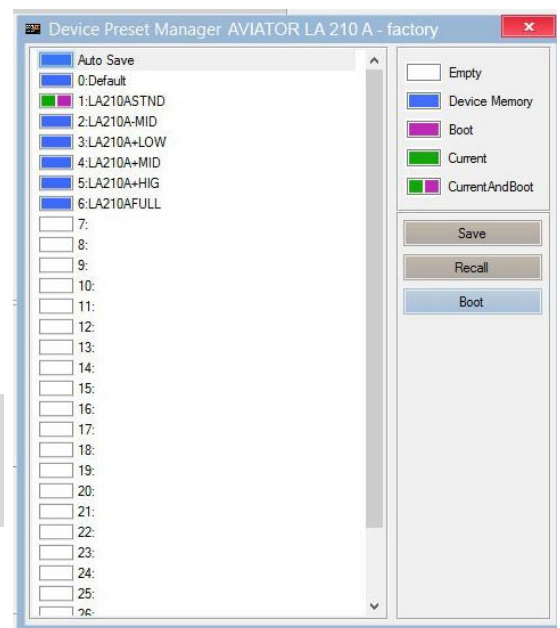
From the acoustic entertainment of small indoor events to the sound of live macro-concerts.



The work carried out and the feedback received from industry professionals around the world with Pro DG Systems products allows us to have a large database with which the development, constant improvement and inclusion of factory presets is possible, allowing the performance of the systems to be adapted to the characteristics of the event.



Presets selectable from the amplifier itself or by using the *ProDGnet* management software.

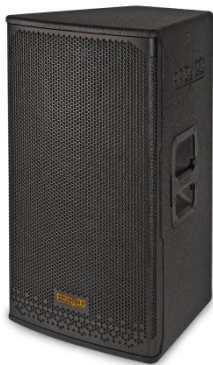




## A wide range of products

From conventional systems for use as point sources, to line array systems, to subwoofers for bass reinforcement. The Aviator Series is composed by a wide range of products that perfectly adapt to the needs of each professional.

112 A



115 A



S 115 A



LA 210 A



LA 212 A



S 218 A



S 118 A

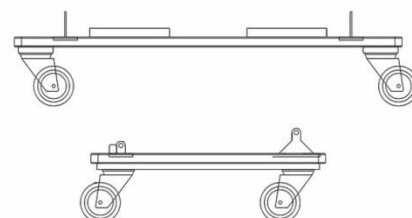
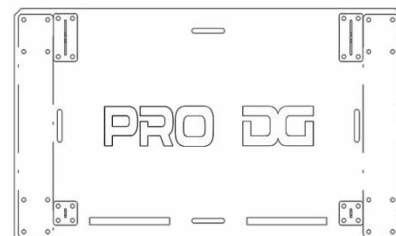
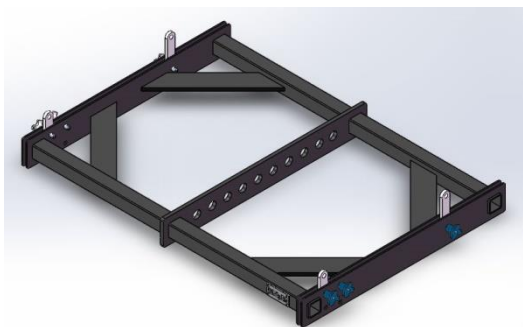


The design, construction and optimization of the different models from Aviator Series guarantee their perfect combination with each other. "The sound is the same" regardless of whether you use a Line Array system as main PA and a conventional system for sidefill or frontfill, allowing the entire set to work in perfect acoustic harmony.

\* You will find all kind of information about the models that make up the Aviator Series at: [www.prodgsystems.com](http://www.prodgsystems.com) The models that make up this series may vary, check our website periodically to stay up to date on the latest updates.

## Equipment and accessories

Flight hardware, complete system wiring ready to work, brackets for wall or ceiling installation, transport trolleys and covers... Pro DG Systems has the necessary equipment and accessories for the easy installation of its systems, as well as for their transport and protection.



The equipment and different accessories are supplied separately, as option.

## Environmentally sustainable products

All the electronics included in our systems comply with the objectives expressed in the European Directives (CE) corresponding to professional sound systems.



Additionally, said electronics have been subjected to relevant laboratory tests to obtain the RoHS certification (which guarantees the restriction of hazardous substances in electrical and electronic devices) and RAEE / WEEE (for proper management of the waste generated by these products).

## Online support



Need user manuals for any of our products?

Need a guide for the optimal installation of any of our products?

Is your customer requesting a detailed report on the technical specifications of any of our products?

Do you want to consult a detailed guide on the use of the process and management software (*ProDGnet*) for our products?

Do you need to present your customer with certificates of conformity for our products?

Or do you simply want to download pictures or obtain commercial documentation for any of our products? (catalogues, brochures, etc.)

You will find all kind of downloadable information in the section for each product at our website: [www.prodgsystems.com](http://www.prodgsystems.com)

You can also download our *ProDGnet* process and control software and the Ease Focus acoustic prediction software in the “Support” section of our website.

All this documentation is continually reviewed to keep our customers and users of our products up to date with the latest updates.

## After-sales service

With Aviator Series you are not only acquiring a high-quality sound system. You also have access to a technical support service available worldwide.

For all types of spare parts for any Pro DG Systems product, or for any technical queries about our systems, the Pro DG Systems technical department is at your disposal. Contact phone number: +34 954 011 095. Contact Email: [sat@prodgsystems.com](mailto:sat@prodgsystems.com)

## As conclusion...

A reliable tool that guarantees success in the sound installation of your events and allows your company to grow.

**“Blast your sound to the next level with Aviator Series from Pro DG Systems.**



**AVIATOR**

[www.prodgsystems.com](http://www.prodgsystems.com)

[www.prodgameamerica.com](http://www.prodgameamerica.com)

[www.prodgasia.com](http://www.prodgasia.com)